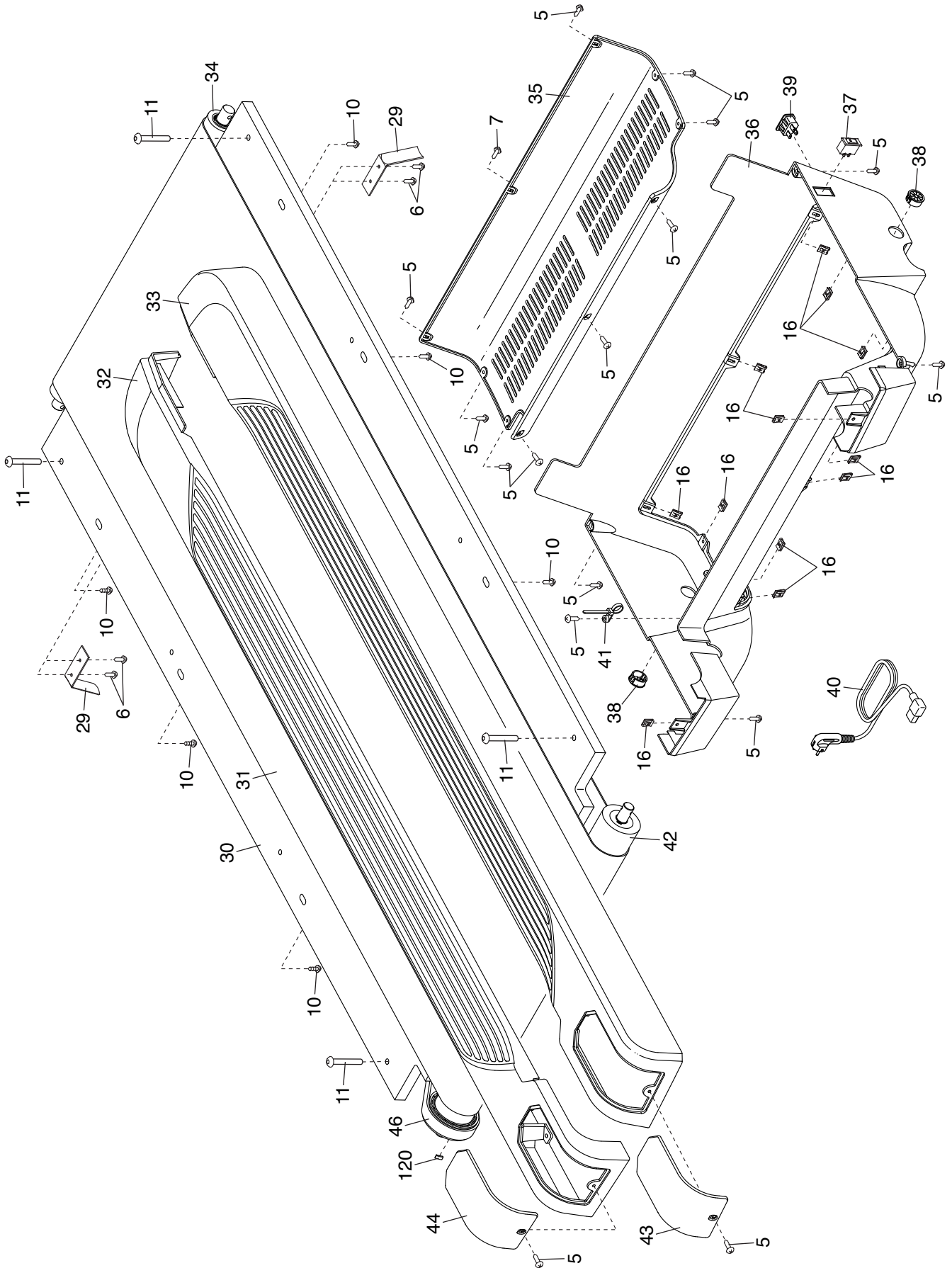


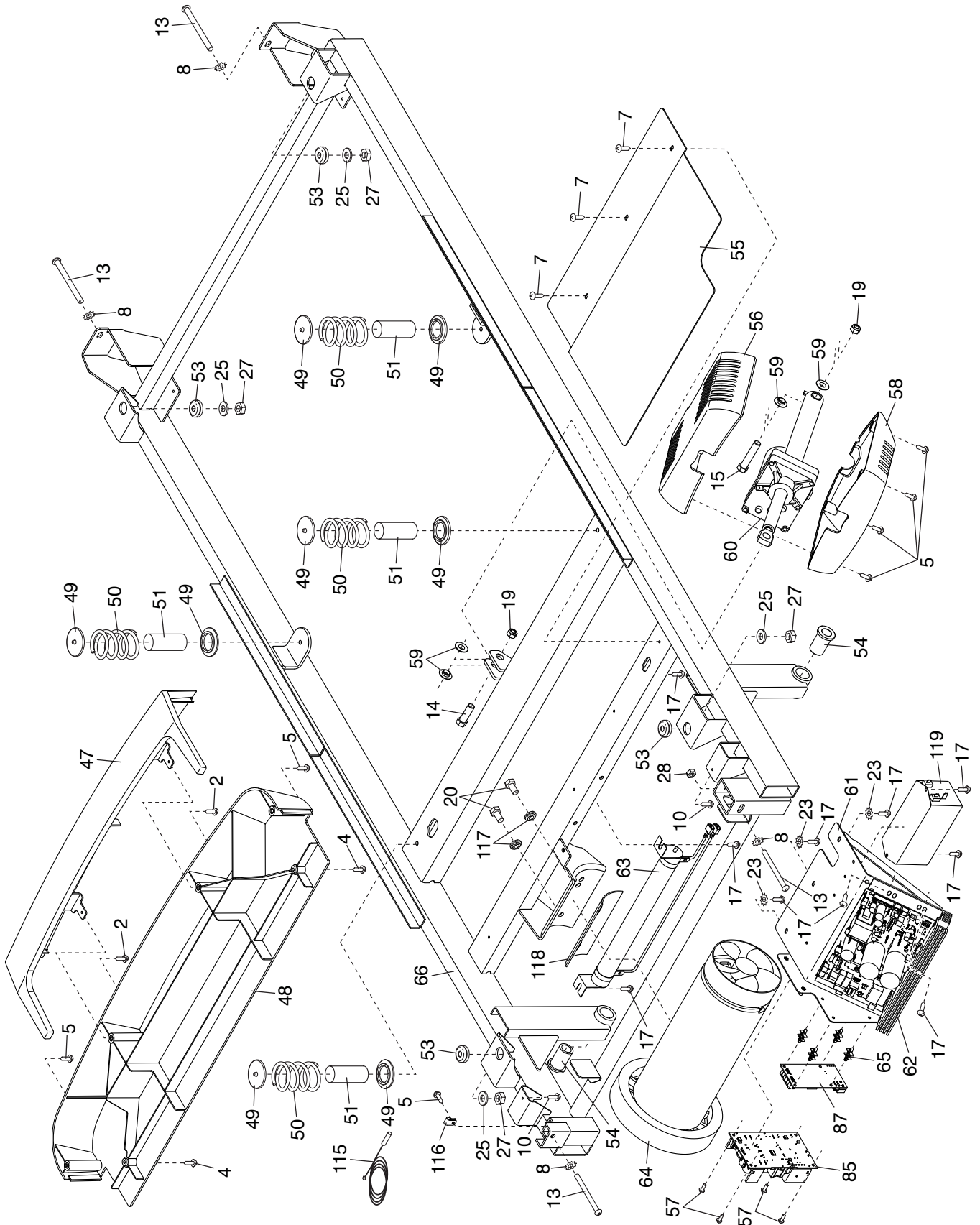
EXPLODED DRAWING A

Model No. NTL39221-INT.0 R0421A



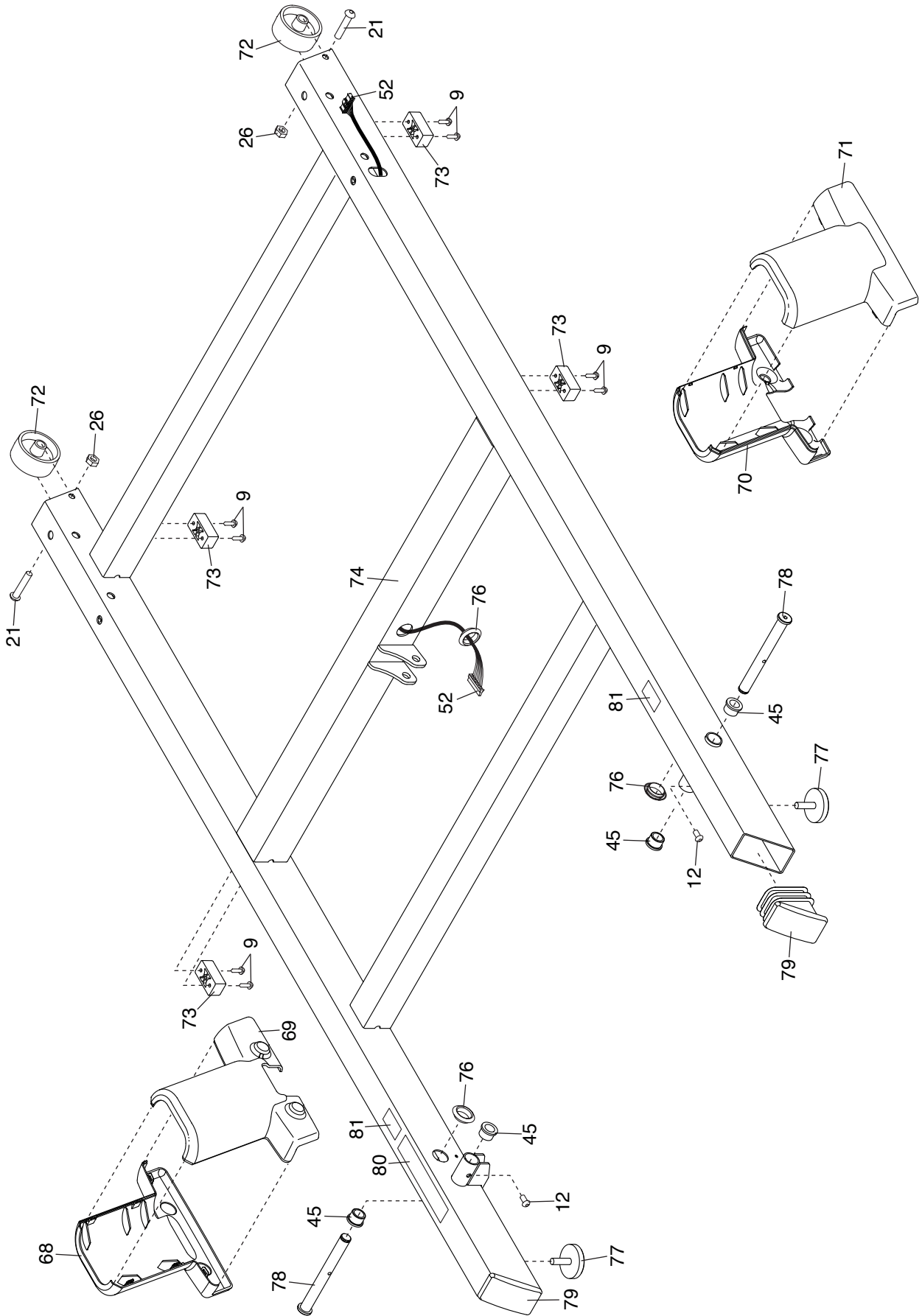
EXPLODED DRAWING B

Model No. NTL39221-INT.0 R0421A



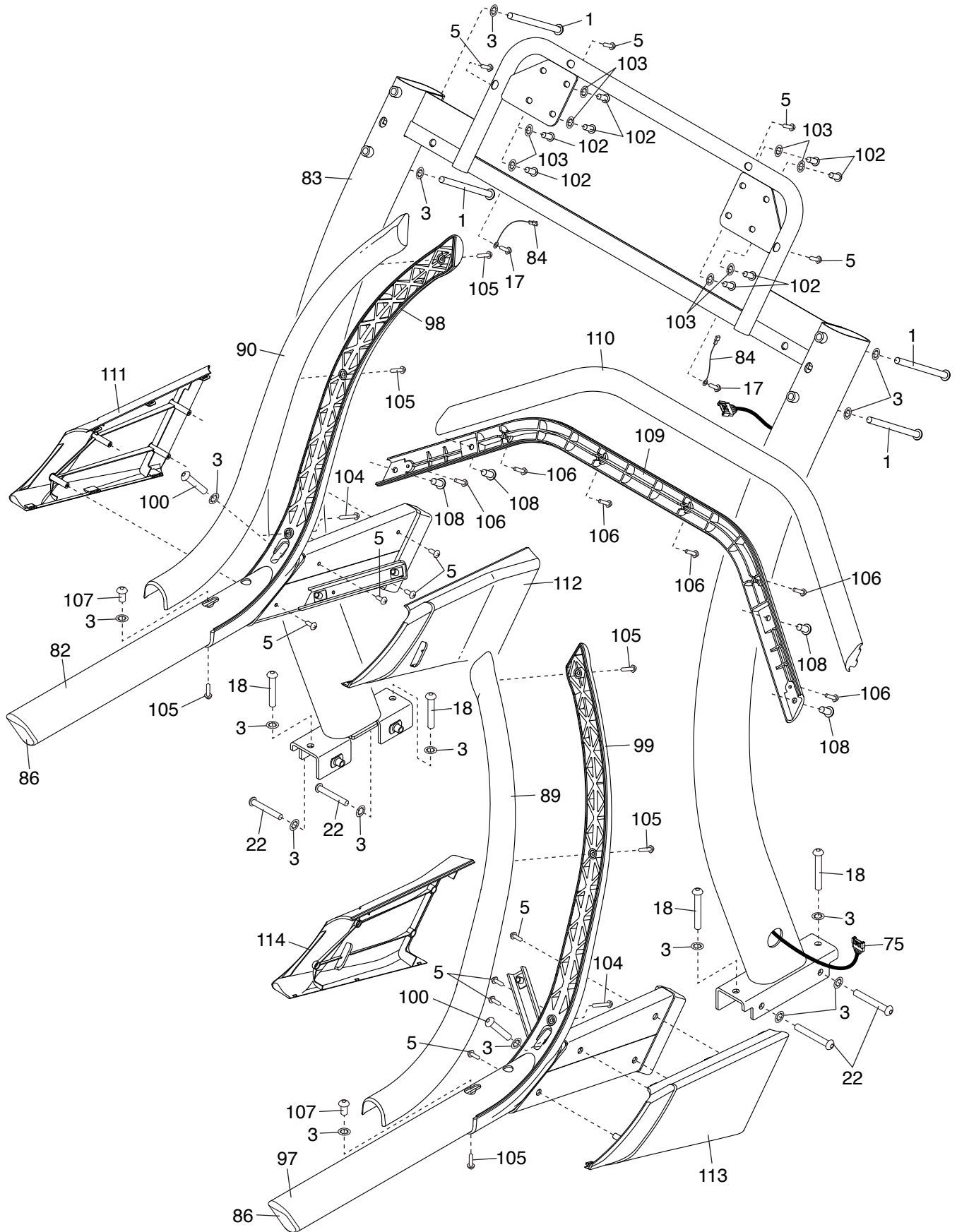
EXPLODED DRAWING C

Model No. NTL39221-INT.0 R0421A



EXPLODED DRAWING D

Model No. NTL39221-INT.0 R0421A



EXPLODED DRAWING E

Model No. NTL39221-INT.0 R0421A

